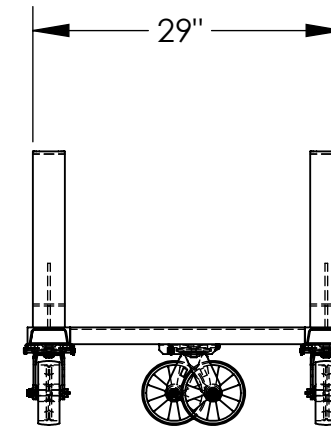
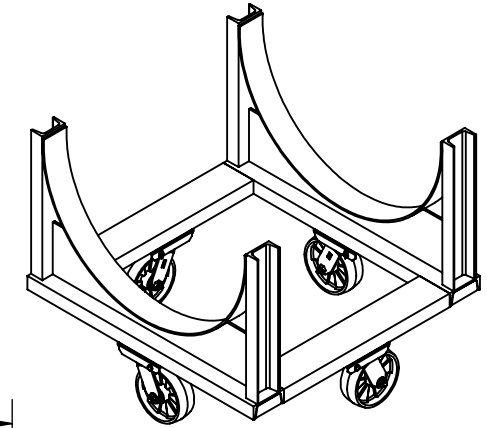
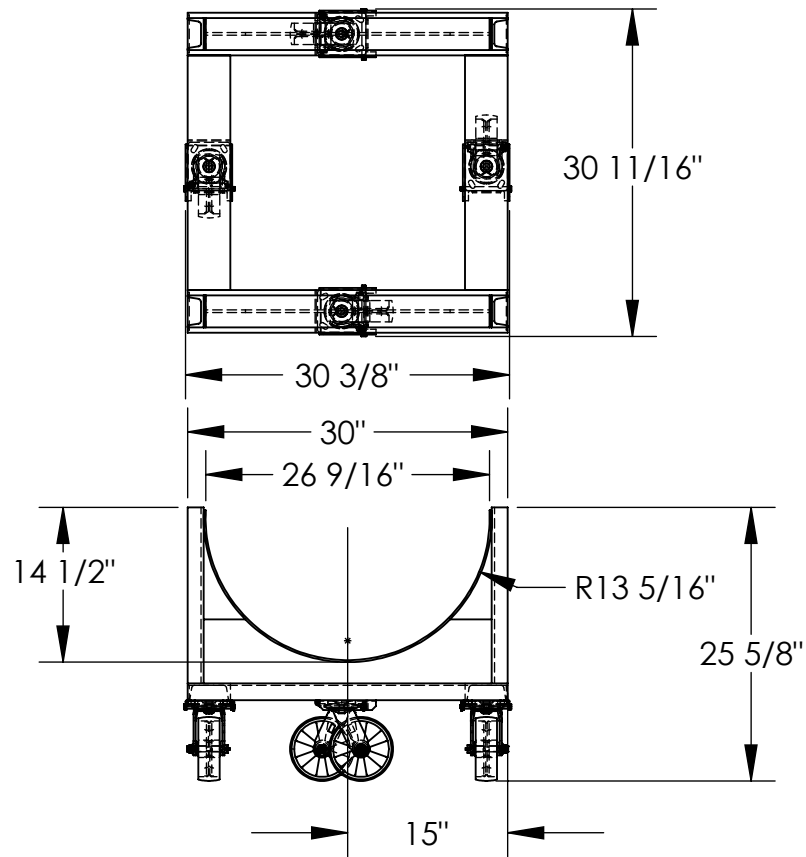


HEAVY-DUTY CRADLE CART - DCC-80

APPROX WEIGHT: 125.47 lbs.
DOES NOT INCLUDE WEIGHT OF POWER OR PACKAGING!!!

*** ANY ADDITIONS, DELETIONS, OR OMISSIONS MUST BE CORRECTED ON THIS DRAWING AS THIS DRAWING WILL BE CONSIDERED ALL INCLUSIVE ***

ALL GRAPHICS PROVIDED ARE FOR REFERENCE ONLY. IF CERTAIN DIMENSIONS ARE CRITICAL PLEASE VERIFY THOSE DIMENSIONS WITH YOUR SALESPERSON



(4) Ø6" x 2"
GLASS-FILLED-NYLON
SWIVEL CASTERS
DIMENSION TOLERANCE ± 1/4"

STANDARD FEATURES

MODEL NUMBER IS: DCC-80
CAPACITY IS: 4,000 LBS.
STEEL CONSTRUCTION
OVERALL WIDTH IS: 30 3/8"
FRAME WIDTH IS: 26 9/16"
OVERALL LENGTH IS: 30 11/16"
FRAME LENGTH IS: 30"
OVERALL HEIGHT IS: 13 5/16"
USABLE CRADLE: 27 1/2" W X 13" H
CASTERS: SWIVEL 6" x 2" GLASS
FILLED NYLON
TOUGH BAKED IN
POWDER COATED BLUE FINISH

NOTE: CONFIGURATION SHOWN
WITH BENT CRADLE TO SHOW
TRUE APPLICATION

APPROVAL

I, THE UNDERSIGNED, AGREE THAT THE PRODUCT AS REPRESENTED SATISFIES DESIGN AND DIMENSION REQUIREMENTS. I ALSO ACKNOWLEDGE MY DUTY TO CONFIRM PRODUCT AND INSTALLATION COMPLIANCE WITH ALL APPLICABLE FEDERAL, STATE AND LOCAL REGULATIONS AND STANDARDS.
UNITS REQUIRING APPROVAL DRAWINGS OR MODIFIED ARE NON-RETURNABLE
[] As drawn [] As marked

Signed: _____ Date: _____

Printed Name: _____

LEAD TIME WILL START UPON RECEIPT OF SIGNED APPROVAL DRAWING

DISTRIBUTOR'S NAME:		P.O.#
VESTIL MANUFACTURING		X
DRAWN BY: T. MOORE		DATE: 5/7/2008
REFERENCE: X		SCALE: 1:18
QUOTED LEAD TIME: X		QUOTE # X
		FILE NAME: 09-007-058

SPECIAL FEATURES

NONE